



A QUALITY PRODUCT



Pendant



Ceiling



Bracket

**INCANDESCENT AND COMPACT FLUORESCENT
BLF Series
EXPLOSION PROOF**

TECHNICAL DATA

Type of Protection : Ex de IIB T4 ,T5, T6
 Conforming to : Standards IEC 60079 - 1 or UL 60079-1
 Marking for test : Ex II2G
 Degree of Protection : IP 65 acc.To IEC 60529
 Ambient Temp. (Ta) : -20° C to+ 55° C
 Rated Voltage : 220 - 240 V.AC. 50/60Hz.
 Lamp : Incandescent 60/100w., Compact fluorescent 11-20w
 Lamp holder : E27 acc. IEC 60238
 Protection class for UL : Class I, Division 1 or 2 Group.C,D
 : Class II, Division 1 or 2 Groups.E,F,G
 Protection class for IEC: Zone 1 and Zone 2

SPECIFICATION

Body material : Marine Grade Copper-free aluminium alloy
 with polyester powder coated RAL7032 (GREY)
 Glass Globe : Borosilicate glass
 Basket guard : Stainless steel
 Sealing gasket : Silicone -40° C to +175° C

OPTIONS:

Specify colour designation to Cat.. No.
 Warm white : W
 Cool day light : C
 add suffix to Cat..No.
 External reflector (aluminium) : R
 Basket guard (Stainless steel) : G
 Specify the mounting type of fixtures
 Ceiling : C Bracket : B Pendant : P

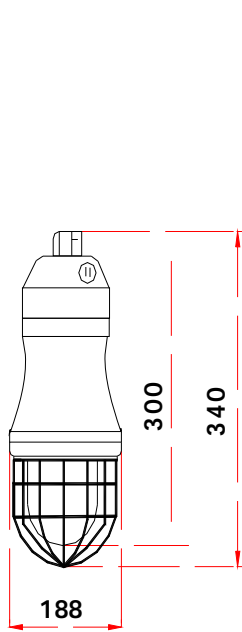
CATALOGUE NUMBERS

| Lamp Watt | Temp.Class Surface Temp. | | Catalogue Number | | |
|---------------------|--------------------------|----------|------------------|-------------|-------------|
| | 40° C Ta | 55° C Ta | Pendant | Ceiling | Bracket |
| Incandescent | | | | | |
| 60 | T4A | T4A | BLF-IN 60P | BLF-IN 60C | BLF-IN 60B |
| 100 | T3 | T3 | BLF-IN 100P | BLF-IN 100C | BLF-IN 100B |
| Compact Fluorescent | | | | | |
| 11 | T6 | T6 | BLF-FC 11P | BLF-FC 11C | BLF-FC 11B |
| 15 | T6 | T6 | BLF-FC 15P | BLF-FC 15C | BLF-FC 15B |
| 20 | T6 | T5 | BLF-FC 20P | BLF-FC 20C | BLF-FC 20B |

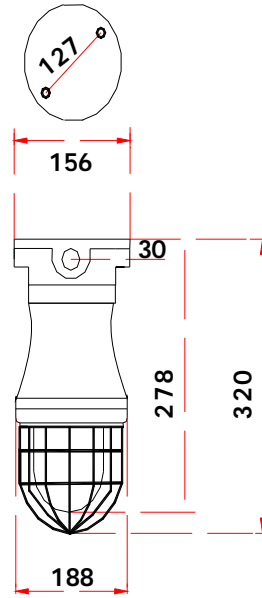


INCANDESCENT AND COMPACT FLUORESCENT
BLF Series
EXPLOSION PROOF

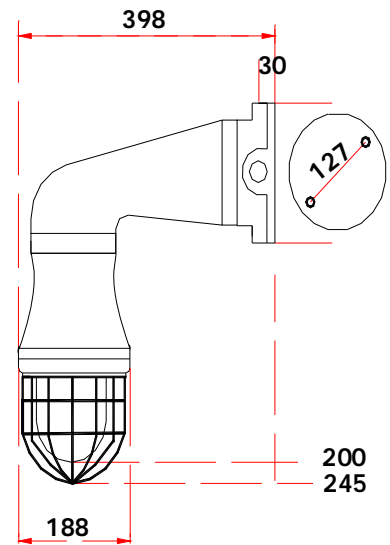
DIMENSIONS IN MM.



PENDANT TYPE



CEILING TYPE



BRACKET TYPE