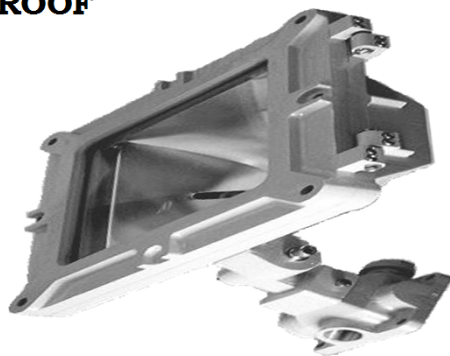


**HALOGEN LAMP BHG SERIES
EXPLOSION PROOF**

BELGIUM



A QUALITY PRODUCT



TECHNICAL DATA

- Type of Protection : Ex d IIB T6
- Conforming to : Standards IEC 60079-0/1 or UL 60079-1
- Marking for test : Ex II2G
- Degree of Protection : IP66/67 acc.To IEC 60529
- Ambient Temp. (Ta) : -20° C to+ 55° C
- Rated Voltage : 220-240V.AC. 50/60Hz.
- Enclosure entry : 3/4" NPT.
- Protection class for UL : Class I, Division 1or 2 Group.C,D
: Class II, Division 1 or 2 Groups.E,F,G
- Protection class for IEC: Zone1 and Zone 2

SPECIFICATION

- Body material : Marine Grade Copper-free aluminium alloy
with polyester powder coated RAL7032 (GREY)
- Lens : Heat and impactresistant clear glass
- Backet ,bolts : Brass , Stainless steel
- Sealing gasket : Silicone -40° C to +175° C
- Internal reflector : Anodized aluminium

CATATLUGE NUMBER

Lamp Watts	Temp. Class (Surface Temp.)		Cat. No.
	40° C Ta	55° C Ta	
300	T3C	T3B	BHG0300
500	T3C	T2D	BHG0500
1000	T2B	T2A	BHG01000
1500	T1	T1	BHG01500

DIMENSIONS: IN MM.

