

RECEPTACLE AND PLUG , BRC AND BPJ Series

EXPLOSION PROOF

BELGIUM



A QUALITY PRODUCT



APPLICATION

The BRC receptacle with BPJ Plug are used for power supply to portable electrical equipments or motors. They are designed for zone 2 and zone 22 hazardous areas.

TECHNICAL DATA

Type of Protection	: Ex d IIA T6
Conforming to	: Standards IEC 60079-0 /1 or UL 60079-1
Marking for test	: Ex II2G T5/T4 : Ex II2 D tD A22 IP54
Ambient temp.(ta)	: -20° C to +55° C temp. class T4
Degree of Protection	: IP65 acc.To IEC 60529
Protection class for UL.	: Class I, Division 2 Group.C,D : Class II, Division 1 or 2 Groups.E,F,G
Protection class for IEC	: Zone 2

CAUTION

To reduce the risk of ignition, do not use receptacles and plugs in locations that contain electrically conductive dusts.

SPECIFICATION

Body, cover and operating handle	: Marine grade copper-free aluminium with polyester powder coated,RAL7032 (grey)
Bolts and mechanism	: Stainless steel

CATALOGUE NUMBER

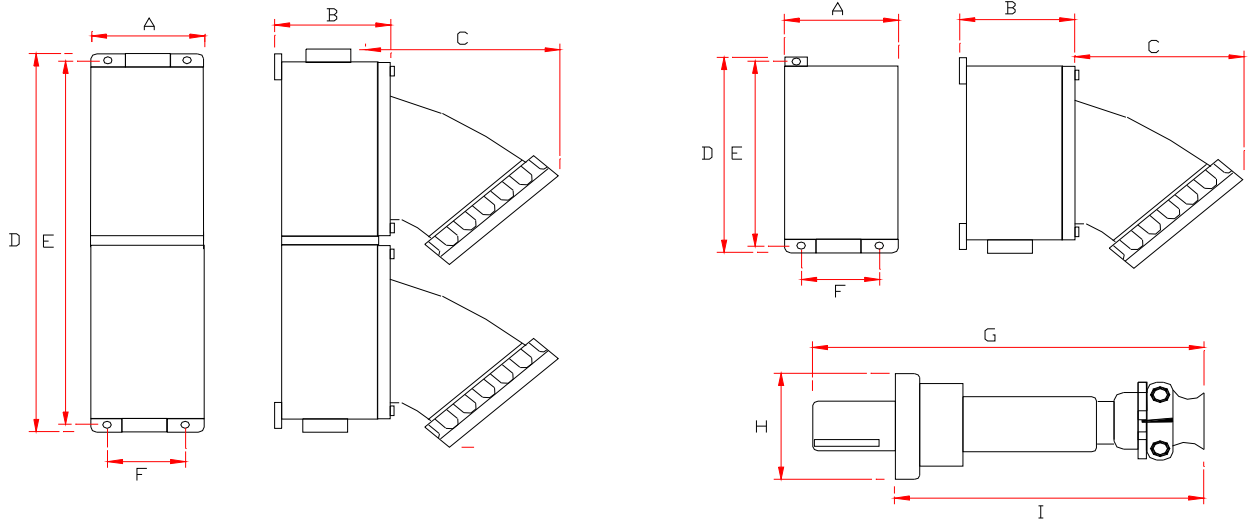
Phase/Wire/Pole	Ampere Rating	Volt Rating	Hub Size NPT(inch)	Receptacle Cat.,No.		Plug Cat..No.
				One Gang	Two Gang	
1PH/2W/3P (2P + G)	16	220	3/4"	BRC 121-16	BRC 221-16	BPJ 2116
	20	220	3/4"	BRC 121-20	BRC 221-20	BPJ 2120
	32	220	3/4"	BRC 121-32	BRC 221-32	BPJ 2132
	63	220	1.1/4"	BRC 121-63	-	BPJ 2163
3PH/3W/4P (3P + G)	16	380	3/4"	BRC 131-16	BRC 231-16	BPJ 3116
	20	380	3/4"	BRC 131-20	BRC 231-20	BPJ 3120
	32	380	3/4"	BRC 131-32	BRC 231-32	BPJ 3132
	63	380	1.1/4"	BRC 131-63	-	BPJ 3163

**RECEPTACLE AND PLUG , BRC AND BPJ Series
EXPLOSION PROOF**



A QUALITY PRODUCT

DIMENSION IN MM.



Amp. Trip	ONE GANG										TWO GANG									
	A	B	C	D	E	F	G	H	I	A	B	C	D	E	F	G	H	I		
1PH / 2W / 3P (2P+G)																				
16	90	73	162	177	155	70	153	75	110	90	73	162	350	295	70	153	75	110		
20	90	73	162	177	155	70	153	75	110	90	73	162	350	295	70	153	75	110		
32	90	73	162	177	155	70	153	75	110	90	73	162	350	295	70	153	75	110		
63	160	193	210	100	90	137	252	90	180	-										
3PH / 3W / 4P (3P+G)																				
16	90	73	162	177	155	70	153	75	110	90	73	162	350	295	70	153	75	110		
20	90	73	162	177	155	70	153	75	110	90	73	162	350	295	70	153	75	110		
32	90	73	162	177	155	70	153	75	110	90	73	162	350	295	70	153	75	110		
63	160	193	210	100	90	137	252	90	180	-										