

# FLUORESCENT FIXTURES FOR HAZARDOUS LOCATIONS EXPLOSION PROOF



**BELGIUM**  
A QUALITY PRODUCT



## EBRS236G SERIES

### TECHNICAL DATA

Type of Protection	: Ex de IIB T6
Conforming to	: Standards IEC 60079-0/1 or UL 60079-1
Marking for test	: Ex II2G
Degree of Protection	: IP66/67 acc.To IEC 60529
Ambient Temp. (Ta)	: -20° C to+ 55° C
Rated Voltage	: 220-240V.AC. 50/60Hz.
Ballast )	: Electronic ballast for bi-pin fluorescent lamp (T8),(T5)
	: THD ≤ 10% P.F. ≥ 0.98
Enclosure entry	: 3/4" NPT.
Protection class for UL	: Class I, Division 1 or 2 Group.C,D
	: Class II, Division 1 or 2 Groups.E,F,G
	: Class III
Protection class for IEC	: Zone1 and Zone 2

### SPECIFICATION

Body material	: marine grade copper-free aluminium with polyester power coated RAL7032 (Grey)
Tube	: Borosilicate glass
Reflector (Option)	: High grade aluminium anodised reflector
Guard (Option)	: Stainless steel

### CATALOGUE NUMBERS

Lamp Watts:	No Guard Cat.,No.	With Guard Cat.,No.	Temp.Class	
			Ta 40 C	Ta 55 C
1 x 18w.	EBRS118	EBRS118G	<b>T6</b>	<b>T6</b>
1 x 36w.	EBRS136	EBRS136G		
1 x 28 w.	EBRS128	EBRS128G		
2 X 18W.	EBRS218	EBRS218G		
2 X 28 W	EBRS228	EBRS228G		
2 X 32W.	EBRS232	EBRS232G		
2 X 36W.	EBRS236	EBRS236G		
3 x 36W.	EBRS336	EBRS336G		

### OPETION

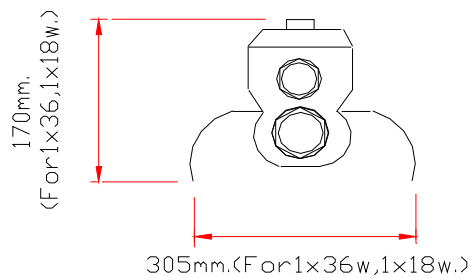
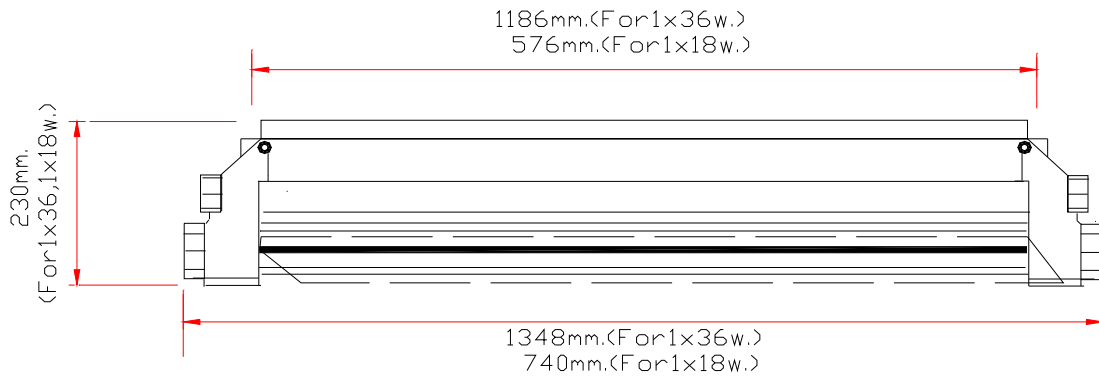
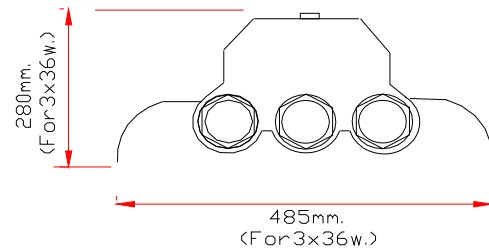
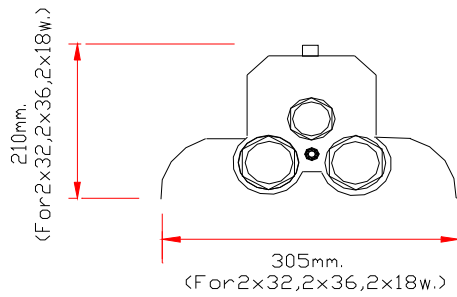
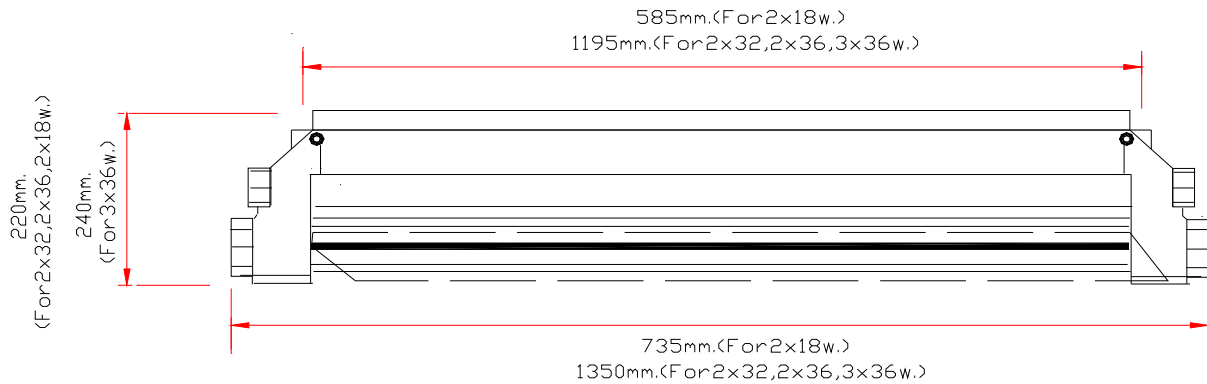
Reflector (anodised)	-R
Guard (Stainless steel)	-G
Emergency power pack	-E
Gasket Seal at cover part for IP 65	



**BELGIUM**

A QUALITY PRODUCT

**DIMENSION IN MM.**



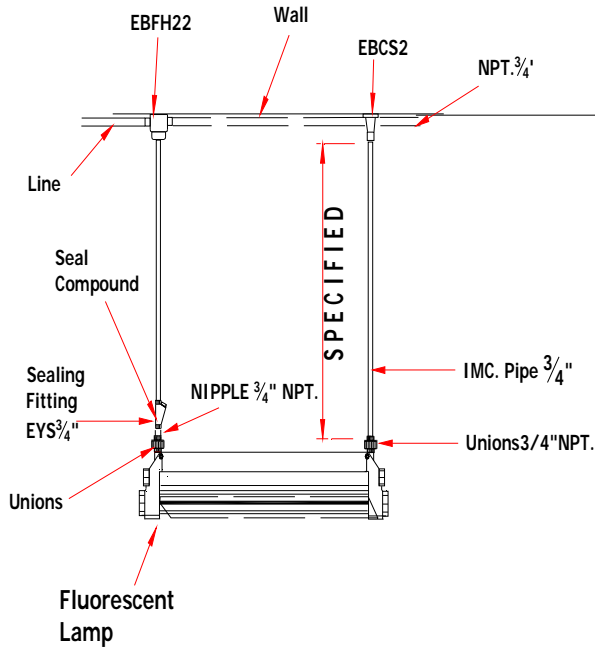
**FLUORESCENT FIXTURES FOR  
HAZARDOUS LOCATIONS  
EXPLOSION PROOF**



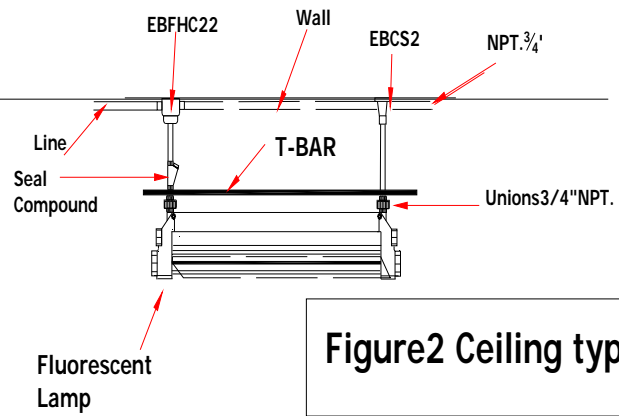
**BELGIUM**

A QUALITY PRODUCT

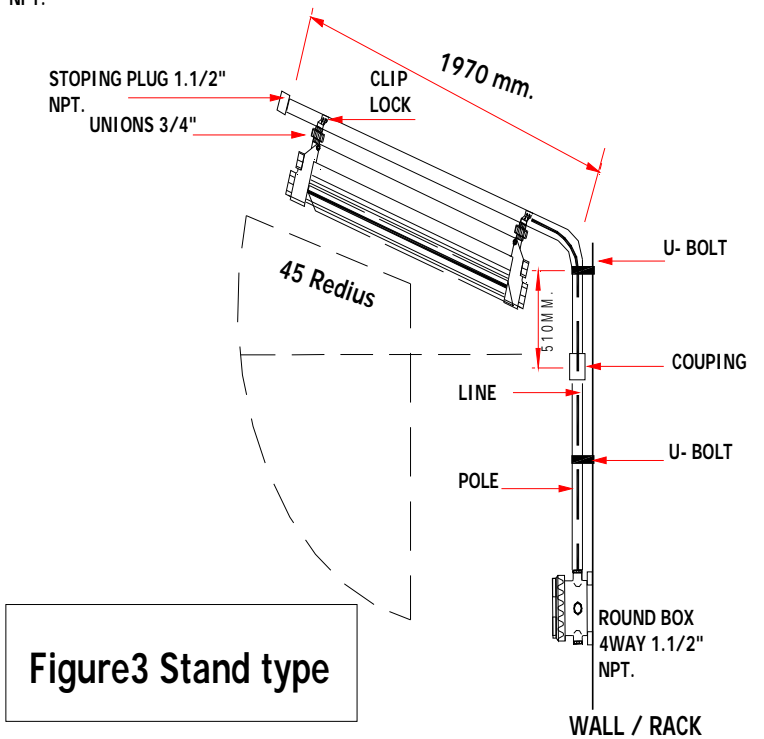
**TYPICAL INSTALLATIONS**



**Figure1 pendant type**



**Figure2 Ceiling type**



**Figure3 Stand type**

**NOTE:**

The lighting fixture is inclusively supplied only lamp tube , ballast , Fixture Hangle(ECH22), Ceiling Saddle( EVH2 ) , The other fittings for installation shall be separately ordered.