



BELGIUM

A QUALITY PRODUCT

LOW-INTENSITY OBSTACLE LIGHT, DOB SERIES EXPLOSION PROOF

APPLICATION

The DOB rotating beacons are suitable to use in process area where need a visual signal for communication such as to warn of unsafe condition. They are designed for zone 1, 2 and 21, 22 hazardous areas.

TECHNICAL DATA

Type of Protection	: Ex d IIB T6
Conforming to	: Standards IEC 60079-0 to 1 or UL 60079-1
Marking for test	: Ex II2G
Degree of Protection	: IP 65 / 66 acc.To IEC 60529
Ambient Temp. (Ta)	: -20° C to + 55° C
Connection	: L, N and E : for 1-4sqmm.cable
Power consumption	: 7W
Lamp	: Light emitting diode(LED), red colour 100,000 hrs. extremely long lamp life
Luminous intensity	: > 10cd (horizontal radiation coverage 360)
Rated voltage	: 220-240V.Ac 50Hz.
Protection class for UL.	: Class I, Division 1 or 2 Group.C,D : Class II, Division 1 or 2 Groups.E,F,G



SPECIFICATION

Body	: Marine Grade Copper-free aluminium alloy with polyester powder coated RAL7032 (GREY)
Globe	: Borsosilicate glass
Guard and screws	: Stainless steel
Seal gasket	: Silicone -40° C to + 175° C

CATALOGUE NUMBER

Cat.,No.	Obstruction light "Philips"	Entries Thread	
		NPT	ISO
DOB 1A <input type="checkbox"/>	xgp388220-240VAC A	3/4"	M2 5x 1.5
DOB 1AF <input type="checkbox"/>	XGP388220-240Vac AF (with flasher)	3/4"	M25 x 1.5

NOTE

- Adding suffix for lens colour to Cat.,No.
P- Pendant, C-Ceiling, B-Bracket

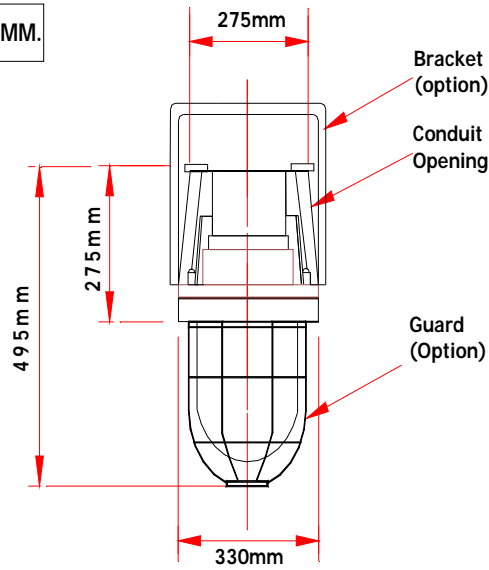


BELGIUM

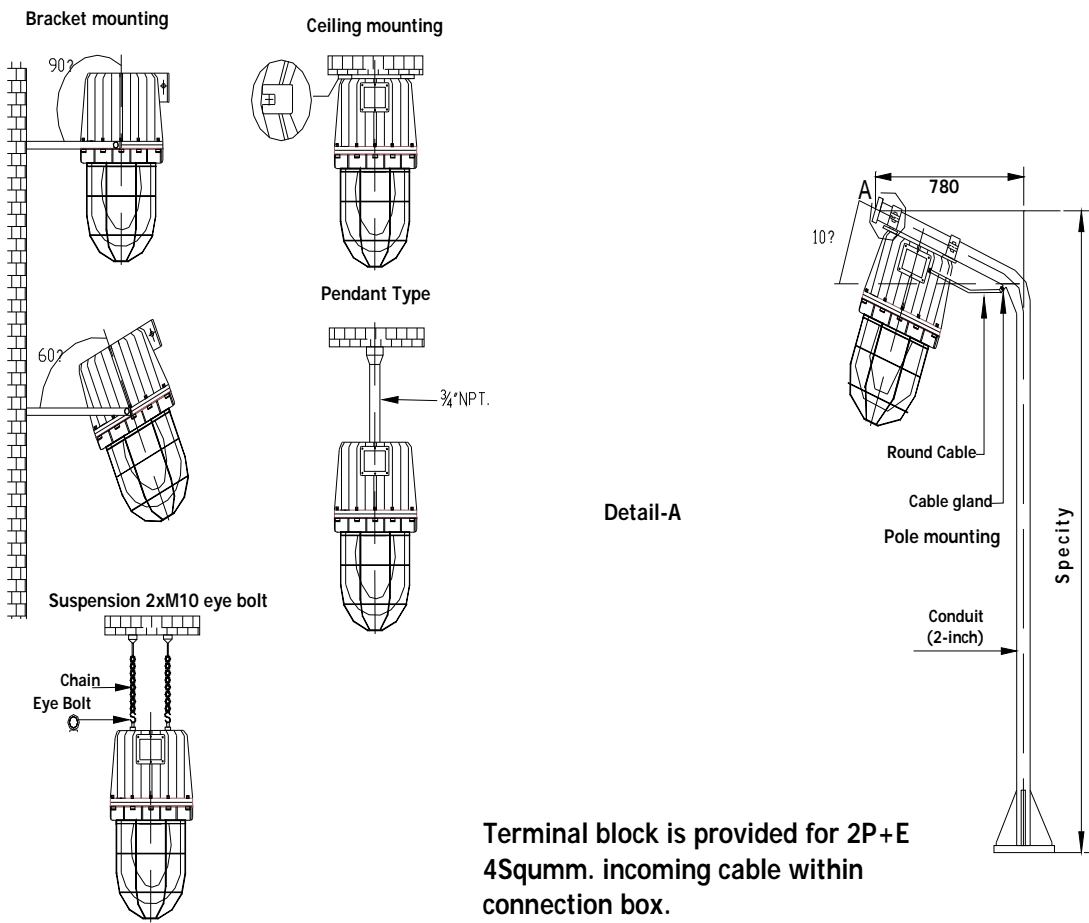
A QUALITY PRODUCT

**LOW-INTENSITY OBSTACLE LIGHT, DOB SERIES
EXPLOSION PROOF**

Dimensions in MM.



INSTALLATION INFORMATION



Terminal block is provided for 2P+E 4Squmm. incoming cable within connection box.